

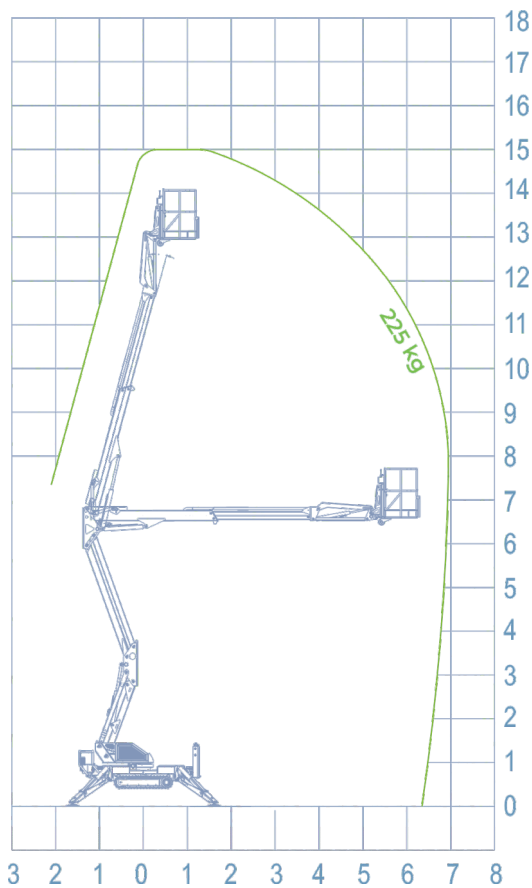


STANDARD ACCESSORIES

- White non-marking tracks
- Aluminium basket
- Electric hour-counter
- Engine Honda 13CV
- 230V electric socket in the basket
- Multifunction radio control
- Translation and stabilization hydraulic basket controls
- Trailer transport + Raptor Trailer optional



WORKING DIAGRAM



INFO

- OUTRIGGERS**
Z+Z
- WORKING HEIGHT**
15,00 m
- BASKET HEIGHT**
13,00 m
- MAX OUTREACH**
7,00 m
- BASKET LOAD CAPACITY**
225 kg
- BASKET SIZE**
1400 X 700 X 1100 mm
- CONTROLS**
Hydraulic
- TURRET ROTATION**
314°
- GVW**
1,9 ton
- SIZE**
3200 x 3230 mm
- BASKET ROTATION**
0°
- LIFTING HOOK**
230 kg

SIZE

