

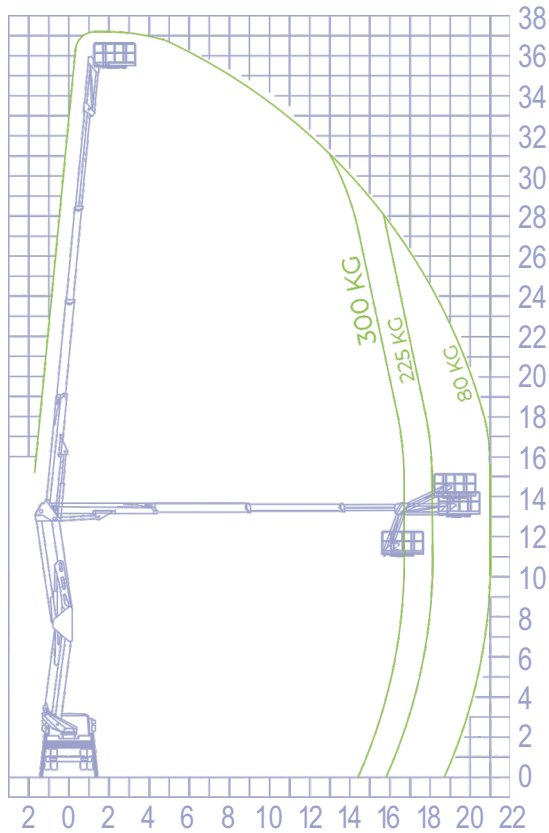


**WORKING DIAGRAM**

**INFO**

**STANDARD ACCESSORIES**

MAXIMUM AREA



- OUTRIGGERS**  
H+H

---

- WORKING HEIGHT**  
37,30 m

---

- BASKET HEIGHT**  
35,30 m

---

- MAX OUTREACH**  
21,00 m

---

- BASKET LOAD CAPACITY**  
300 kg

---

- BASKET SIZE**  
2000x800x1100 mm

---

- BASKET ROTATION**  
90° + 90°

---

- CONTROLS**  
Electric

---

- TURRET ROTATION**  
700°

---

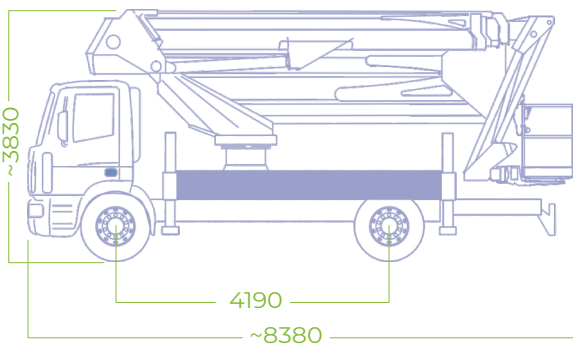
- GVW**  
18 ton

**[a] AUTOMATIC STABILIZATION**

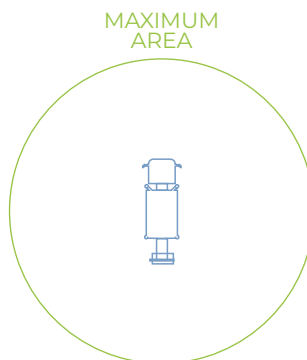
The **SPEED** function is a new solution present in Socage's Aerial Working Platforms on Chassis. It brings great advantages including increasing safety and facilitating the correct use of the necessary stabilization maneuver to start working. With a single button, even from the basket, it allows to obtain stabilization in a safe, simple and fast way, quickly overcoming the irregularities of the ground.

**DATA SHEET**

- **SPEED automatic closing**
- **SPEED automatic stabilization from the basket and from the ground**
- Proportional electrohydraulic controls with regulation of the speed of all movements
- Double or triple working area depending on the installation
- Articulated final jib
- Electronic safe system CAN BUS
- Engine start/stop from the basket
- Heat exchanger
- 4 outrigger plates
- Socket 230V
- Magnetic roto-lamp on the vehicle cabin
- Cataphoresis treatment with powder coating
- Aerial part centering light on the basket
- Tool trunk
- Under-run
- 150 mm aluminum side rails
- LED rear bumper lights
- LED rotating beacon on truck cab



IVECO EUROCARGO



**SAFETY DATA**

- Emergency button
- Emergency manual hand pump
- Cross-check of open stabilizers
- Multi-axial device for visual control of frame stabilization
- Intelligent cabin anti-collision sensor
- Load limiter in the basket
- Moment limiting device with double security
- Chassis flatness sensor
- Flanged block valves
- Differentiated filtering hydraulic system with high efficiency filters both on the delivery lines and on the return lines
- Automatic basket leveling
- Automatic PTO deactivation
- Warning horn from the basket
- SSW Socage Safe Workplace safety lights on the aerial part